



Description

Mircom's FH-400 Horns offer an audible solution that deliver exceptional energy efficiency in a compact design. The FH-400 Series Horns provide a wide range of audible settings in a single compact device. The audible settings include Temporal, Continuous, March Time and 20 BPM tones that can each be set for Low or High volume settings. The device settings are located on the back of the unit to prevent tampering.

The FH-400 Series Horns utilize a universal mounting plate that allows for mounting to a single gang, double gang, octagon, 4" junction or 4" square electrical box. The back plate allows the installer to mount the plate and connect the wire connections. The device attaches to the mounting plate and is secured by a single mounting screw. In addition, the FH-400 can mount to the Mircom BB-400 Series back box for surface mount applications.

Engineering Specifications

The horn shall be a Mircom FH-400 audible appliance for wall or ceiling mount applications. The horn shall be of a low current draw design and operate at 24 VDC regulated or full wave rectified. The horn shall have two field selectable volume settings and a choice of four tone settings for temporal, continuous, march time or 20 BPM. The audible settings shall be tamper resistant. The horn shall utilize a mounting plate that allows the installer to pre-wire the mounting plate. The mounting plate shall mount on a single gang, double gang, octagon, 4-inch square box or Mircom's BB-400 series back box. The horn shall be listed to UL standard 464, Audible Signaling Devices for Fire Alarm and Signaling Devices and ULC-S525, Audible Signal Devices for Fire Alarm Systems.

Features

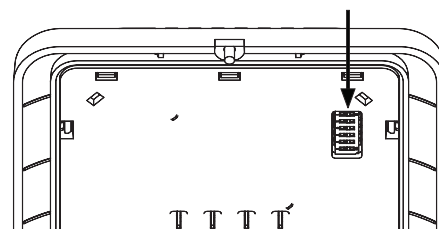
- Compact Design
- Lower power consumption per device allows for more notification appliances per circuit and reduces the need for external power supplies
- Multiple field-selectable audible settings
 - Temporal, Continuous, March Time and 20 BPM audible tones
 - High and Low volume settings
- Wall and ceiling-mount
- Red or white finish
- Device settings are located on the back of the unit to prevent tampering
- Includes shorting clip that allows installers to test the wiring before the device is installed
- Supports 12 to 22 AWG
- Mount to Mircom BB-400 surface mount back box, single gang, 4-inch square, double gang, octagon and 4-inch junction boxes
- All units include universal mounting plate
- For indoor applications

Compliance

- UL 464
- ULC-S525

Audible Settings

DIP switches for the audible tone and volume settings



Device settings are located on the back of the unit to prevent tampering



S5375



S5375



7135-1477:0500

Specifications

General Specifications

Operating temperature	0°C to 50°C (32°F to 122°F)
Humidity range	0% to 93%
Nominal Voltage	Regulated 24 VDC / 24 VFWR
Operating Voltage Range (RMS)	16 to 33
Input terminal wire gauge	22 AWG to 12 AWG
Installation environment	For indoor use only

FH-400 Horn Operating RMS Currents (mA)

Volume	Reg. 24 VDC, all tones	Reg. 24 VFWR, all tones
High	37	31
Low	22	25

ULC Directional Sound Characteristics

Horizontal Axis	
± 45°	-3 dbA
± 61°	-6 dbA
± 90°	-10 dbA
Vertical Axis	
± 49°	-3 dbA
± 61°	-6 dbA
± 90°	-7.7 dbA

Audible Ratings

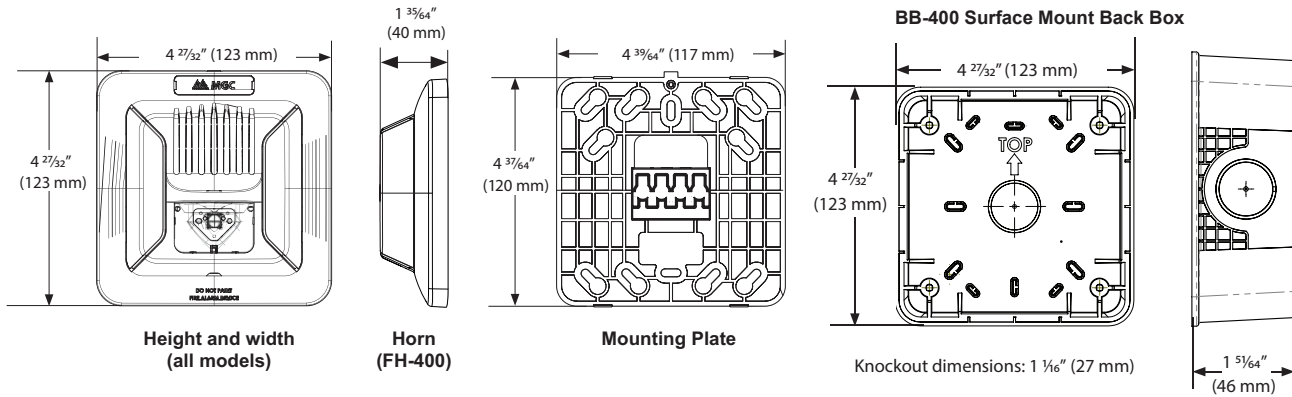
dBA Reverberant Ratings per UL464 (dBA@10 ft)

Sound Pattern	Volume	16 VDC	Reg. 24 VDC	33 VDC	16 FWR	Reg. 24 FWR	33 FWR
Temporal	High	82.2	84.9	84.6	76.8	79	80
	Low	75.5	80.5	80.2	71.8	75.1	76.6
Continuous	High	86.4	89.2	88.7	81.5	83.1	84
	Low	79.9	84	84.8	76.2	79.3	81.2
20 BPM	High	79	81.3	81.6	74	75.1	76.1
	Low	72.3	76	76.7	68.9	71.7	73.3
March	High	83.2	86.4	85.7	79.2	80.6	81.4
	Low	76.9	80.9	81.7	73.3	76.2	78

dBA Anechoic Ratings per CAN/ULC-S525 (dBA@3 m)

Sound Pattern	Volume	16 VDC	Reg. 24 VDC	33 VDC	16 FWR	Reg. 24 FWR	33 FWR
Temporal	High	90.2	93.2	93.2	84.4	87.1	88.5
	Low	83.7	87.4	88.3	78	82.2	84.5
Continuous	High	90.2	93.2	93.3	85.1	87.8	89
	Low	83.8	87.6	88.6	78.5	83	85
20 BPM	High	90.3	92.9	92.9	84.4	87.2	88.6
	Low	83.6	87.3	88.3	78	82.2	84.5
March	High	90.2	92.9	92.9	84.4	87.1	88.4
	Low	83.7	87.4	88.3	78	82.2	84.4

Dimensions



Ordering Information

Model Number	Description
FH-400-RR	Wall/Ceiling Mount Horn, Red
FH-400-WW	Wall/Ceiling Mount Horn, White
BB-400R	Surface Mount Back Box, Red
BB-400W	Surface Mount Back Box, White
SDM-240	Synchronization Module

NOT TO BE USED FOR INSTALLATION PURPOSES.



Canada
 25 Interchange Way
 Vaughan, Ontario L4K 5W3
 Telephone: (905) 660-4655
 Fax: (905) 660-4113

U.S.A.
 4575 Witmer Industrial Estates
 Niagara Falls, NY 14305
 Toll Free: (888) 660-4655
 Fax Toll Free: (888) 660-4113

Web page: <http://www.mircom.com> Email: mail@mircom.com

Distributed by:

ISO 9001:2008
 REGISTERED



CAT. 5273
 Rev. 1